

# THERMAL TRANSFER SOLUTIONS

As an experienced high quality manufacturer of thermal media, PDC can provide thermal label and ribbons for a wide range of applications. We can help you deliver a complete label and ribbon package that complements your printer and application. Contact your PDC sales rep for assistance with combining stock labels and ribbons for a surefire way to increase your efficiency.



- **MULTI-PURPOSE THERMAL TRANSFER LABELS**
- **MULTI-PURPOSE THERMAL RIBBONS**

## THERMAL TRANSFER SOLUTIONS

Meet this Joint Commission Patient Safety Goal & Standard

### Goal #2:

Improve the effectiveness of communication among caregivers.

All PDC Thermal Transfer Solutions products are latex-free and some are available with custom imprinting.

# THERMAL TRANSFER SOLUTIONS

## THERMAL TRANSFER SOLUTIONS



### ***What is the Thermal Transfer Advantage?***

- The printed image is much more durable
- You will use lower energy settings on your equipment
- You can choose from a variety of colors
- All thermal transfer printing is IR scanable

PDC offers different ribbon formulations to ensure that you have the best price/performance solution for every label application. Throughout the catalog there are a wide selection of pre-determined ribbon/label combinations to choose from. Below are a few additional guidelines to follow when matching the right ribbon for the right application.

### **Wax Ribbon Formulations**

Our resin enhanced wax ribbons are well suited for basic general purpose applications throughout your facility. These formulations work well with a variety of paper stocks and promote higher productivity.

- They are more cost efficient
- Require a lower melting temperature
- Are well suited for shelf and bin labeling

### **Wax/Resin Ribbon Formulations**

Premium wax/resin ribbons are well suited for the demanding printing results needed in the Admissions, Laboratory and Pharmacy departments. These formulations are abrasion and solvent resistant, providing exceptional performance. They work well with a variety of paper stocks, including a variety of synthetics, and promote high resolution printing.

- Moderately priced
- Perform well on moderate heat and steam applications
- Have excellent print quality for applications with longevity standard

### **Premium Resin**

Our premium resin ribbons are well suited for use with labels that are exposed to challenging applications such as heat, reagents and solvents. These well rounded formulations perform under the difficult environments of your Laboratory, Pharmacy and Blood Bank.

- They are priced for performance
- Work best on the smooth surface of a synthetic stock
- Have excellent print quality for applications with longevity standards

*What you need to know to find the right combination -*



# MULTI-PURPOSE THERMAL TRANSFER LABELS

THERMAL TRANSFER SOLUTIONS

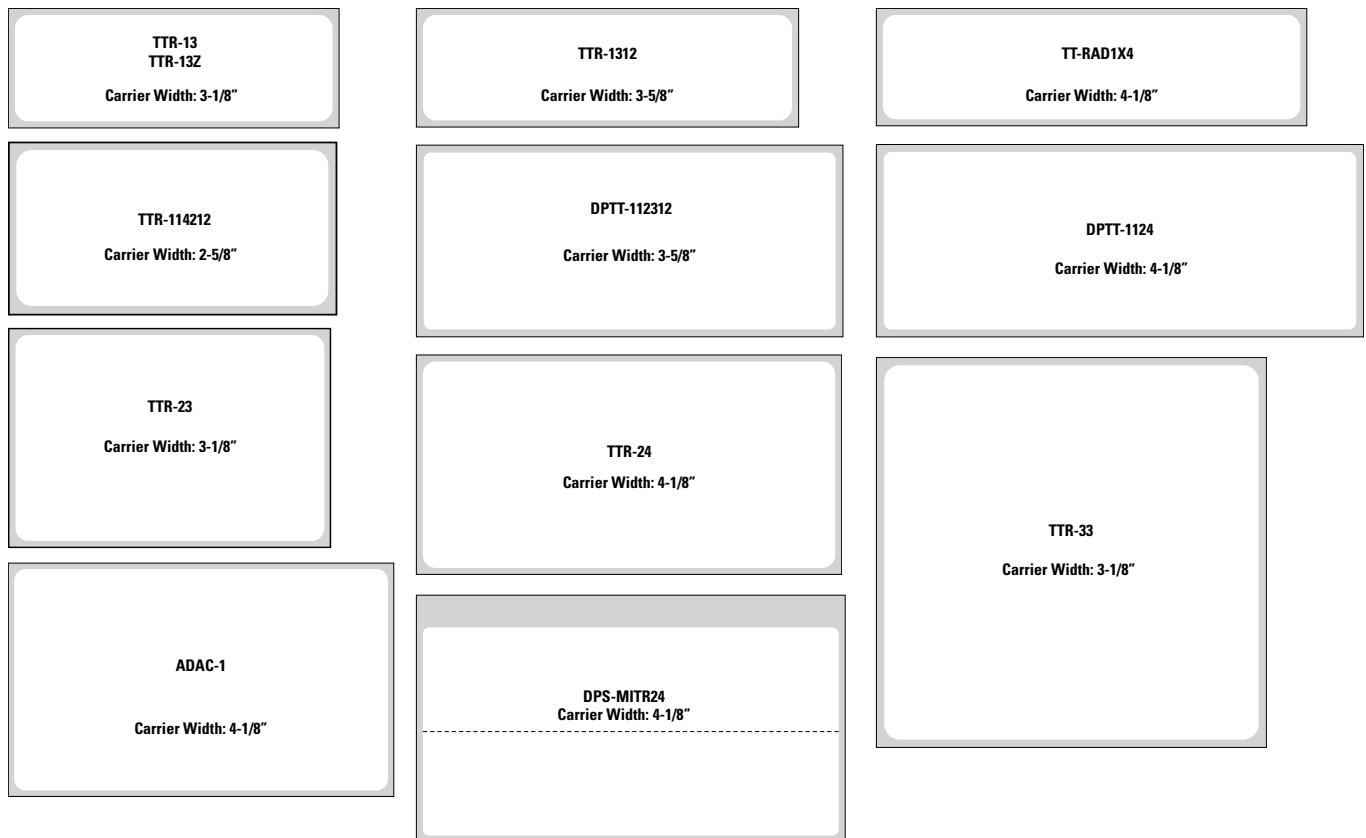


## Multi-Purpose Thermal Transfer Label Solutions

These high quality paper labels are ideal for many bar code labeling applications in your healthcare facility. They are comprised of a white ultra smooth, absorbent paper facstock excellent for use in standard and high-speed thermal transfer printers. They feature superior printability and produce crisp bar codes and text. The adhesive can be applied to most surfaces and the label material is highly recommended for use when longevity is a requirement.

**Ribbon Recommendation:** A wax or resin enhanced wax ribbon is recommended for optimal print performance and results. These ribbons and labels are well suited for basic general purpose applications.

**To select a ribbon to match your label and printer turn to page 192 for details.**



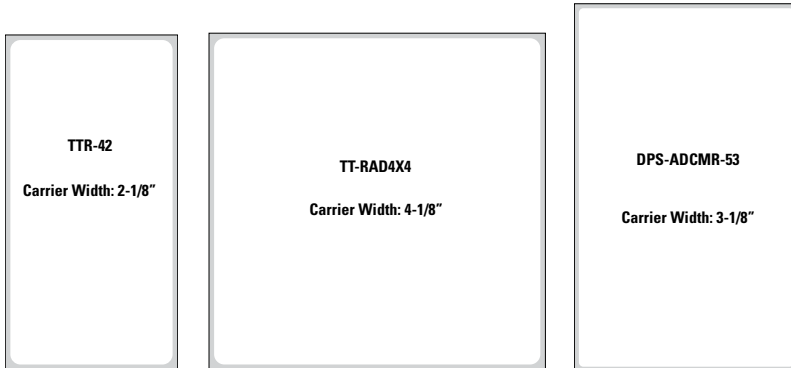
Product Number	Label Size	Core Size	Max OD	Material/Adhesive	Qty.
TTR-13	1" x 3"	3"	8"	Thermal Transfer/Labels	5.5M/RL - 2RLS/BX
TTR-13Z	1" x 3"		5-9/16"		2.5M/RL - 4RLS/BX
TTR-1312	1" x 3-1/2"		8"		5,180/RL - 2RLS/BX
TT-RAD1X4	1" x 4"		7-1/4"		5.5M/RL - 2RLS/BX
TTR-114212	1-1/4" x 2-1/2"		8"		3.8M/RL - 6RLS/BX
DPTT-112312	1-1/2" x 3-1/2"		7-3/4"		4M/RL - 3RLS/BX
DPTT-1124	1-1/2" x 4"		7-1/2"		3.6M/RL - 2RLS/BX
TTR-23	2" x 3"		7-1/2"		3M/RL - 3RLS/BX
TTR-24	2" x 4"		7-1/2"		1M/RL - 6RLS/BX
DPS-MITR24	2" x 4"		7-3/4"		2.8M/RL - 1RL/BX
ADAC-1	2-3/8" x 4"		7-1/2"		2.5M/RL - 2RLS/BX
TTR-33	3" x 3"		6-3/4"		1.5M/RL - 6RLS/BX

# MULTI-PURPOSE THERMAL TRANSFER SOLUTIONS

## THERMAL TRANSFER SOLUTIONS



### Multi-Purpose Thermal Transfer Label Solutions



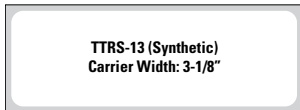
Product Number	Label Size	Core Size	Max OD	Material/Adhesive	Qty.
TTR-42	4" x 2"	3"	7-3/8"	Thermal Transfer/Label	1,450/RL - 6RLS/BX
TT-RAD4X4	4" x 4"		7-1/3"		1.3M/RL - 2RLS/BX
DPS-ADCMR-53	5" x 3"		7-1/2"		1M/RL - 6RLS/BX

### Multi-Purpose Thermal Transfer Film Label Solutions

These labels are ideal for applications that require durability, or the highest level of resistance to abrasion, heat, steam and various solvents. These labels are often used for Laboratory and Central Service/Sterile applications.

**Ribbon Recommendation:** A premium wax/resin enhanced ribbon is recommended for optimal print performance and will stand up to abrasion and moderate solvents. These ribbons and labels are well suited for lab and pharmacy applications.

**To select a ribbon to match your label and printer turn to page 192 for details.**

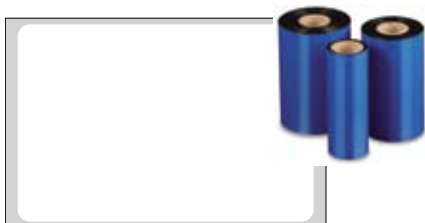


Product Number	Label Size	Core Size	Material/Adhesive	Qty.
TTRS-13	1" x 3"	3"	Therm Tran Film/Label	5,330/RL-2RLS/BX

### Ribbon and Label Combinations



Product Number	Size	Core Size	Material/Adhesive	Qty.
TTRS-1124A	1-1/2" x 4"	3"	Therm Tran Film/Autoclave	3.6M/RL-2RLS/BX
TTR-FRD10233	4.02" x 1,476'	-	Resin Ribbon	1RL/BX



Kits: Label and Ribbon Combinations					
Product Number	Label/Ribbon Size	Core Size	Max OD	Material/Adhesive	Qty.
TTR-1583KIT	1-5/8" x 3"	3"	7-1/2"	Thermal Transfer/Label	3M/RL-3RLS/BX
	3.15" x 1,476'	-	-	Resin Enhanced Wax	1RL/BX



PDC offers a variety of ribbon formulations to ensure optimal performance from your thermal printer, label stock and label application. Listed below are our most popular ribbons based on the printer model and label size. PDC offers a vast selection of additional ribbons. For the printers listed below and more, please contact your PDC Sales Representative at 800-323-4840 or visit [www.timemed.com](http://www.timemed.com) to match a ribbon to your label stock and thermal printer.

### Fast Wax Ribbon

General Purpose Wax - Economy Wax

#### BENEFITS

- Reliable, solid-performing wax ribbon
- Prints at fast speeds
- Prints at energy levels well below most competitive wax ribbons
- Excellent print quality on uncoated label stocks
- Backcoat protects printhead

PRINTERS - Datamax/Fargo/Sato					
Product Number	Width Millimeters	Width Inches	Length Meters	Length Feet	Box Qty.
TTR-FFS076F1	76	2.99	360	1,181	6
TTR-FFS102F1	102	4.02			
TTR-FFS110F1	110	4.33			
PRINTERS - Datamax-Ovation, Ovation 2 & WinOvation					
TTR-FRD110FW	110	4.33	360	1,181	6
PRINTERS - Intermec 3400/3240/3440					
TTR-FID06428	64	2.52	153	502	6
TTR-FID10428	104	4.09			1
TTR-FID11428	114	4.49			6
PRINTERS - Intermec 4420/4440					
TTR-FID104FX	104	4.09	450	1,476	6
PRINTERS - Zebra - XI and Z					
TTR-FRD06028	60	2.36	300	984	6
TTR-FRD060F1	60	2.36	450	1,476	1
TTR-FRD08028	80	3.15	300	984	6
TTR-FRD080F1	80	3.15	450	1,476	6
TTR-FRD083F1	83	3.27	450	1,476	6
TTR-FRD089F1	89	3.50	450	1,476	6
TTR-FRD09528	95	3.75	300	1,476	6
TTR-FRD10228	102	4.02	300	984	6
TTR-FRD102F1	102	4.02	450	1,476	6
TTR-FRD10428	104	4.09	300	984	6
TTR-FRD11028	110	4.33	300	984	1
TTR-FRD15228	152	5.98	300	984	6

### GP725 Wax Ribbon

Resin Enhanced Wax - Capable and Cost Effective

#### BENEFITS

- Deep, dark bar codes, text and graphics
- Easy to use, no printer adjustment needed
- Unbeatable performance at high speeds
- Prints on a wide range of substrates including coated, uncoated and some synthetic label stock
- Good durability, antistatic - ideal for RFID
- Guardian2 backcoat extends printhead life

PRINTERS - Datamax - I, M, W Class and, Prodigy-Max					
Product Number	Width Millimeters	Width Inches	Length Meters	Length Feet	Box Qty.
TTR-FGA03825	38	1.50	360	1,181	6
TTR-FGA05325	53	2.09			
TTR-FGA06425	64	2.52			
TTR-FGA11025	110	4.33			
PRINTERS - Intermec 3240					
TTR-FID07625	76	2.99	153	502	6
TTR-FID10425	104	4.09			
PRINTERS - Sato 8400/8450/M8400RV, XL400/410, CL408/412/608/612					
TTR-FST11075	110	4.33	410	1,345	6
PRINTERS - Zebra - XI and Z					
TTR-FRD06025	60	2.36	300	984	6
TTR-FRD06075	60	2.36	450	1,476	
TTR-FRD08375	83	3.27	450	1,476	
TTR-FRD08975	89	3.50	450	1,476	
TTR-FRD09575	95	3.75	450	1,476	
TTR-FRD10275	102	4.02	450	1,476	
TTR-FRD11025	110	4.33	300	984	
TTR-FRD11075	110	4.33	450	1,476	



# THERMAL TRANSFER RIBBONS

## THERMAL TRANSFER SOLUTIONS



### High Mark Wax Ribbon

General Purpose - Added Durability

#### BENEFITS

- Prints at low heat settings
- Specially formulated backcoat protects printhead
- Outstanding print performance on coated stocks
- Offers higher durability than most wax formulas

PRINTERS - Datamax - I, M, W Class and, Prodigy-Max					
Product Number	Width Millimeters	Width Inches	Length Meters	Length Feet	Box Qty.
TTR-FGA076HM	76	2.99	360	1,181	6
TTR-FGA080HM	80	3.15			1
TTR-FGA089HM	89	3.50			6
TTR-FGA102HM	102	4.02			1
TTR-FGA114HM	114	4.49			6
PRINTERS - Datamax/Fargo/Sato					
TTR-FFS038F1	38	1.50	360	1,181	6
PRINTERS - Datamax-Ovation, Ovation 2 & WinOvation					
TTR-FGA064H5	64	2.52	110	360	6
PRINTERS - Eltron TLP 2242/2642/2742/3642					
TTR-FED083HM	83	3.27	91	300	6
TTR-FED110HM	110	4.33		299	1
PRINTERS - Eltron TLP 2844					
TTR-FED1104H	110	4.33	74	243	1
PRINTERS - Intermec 3400/3240/3440					
TTR-FID104HM	104	4.09	153	502	1
TTR-FID104HP	104	4.09		502	6
TTR-FID10635	106	4.17		497	6
PRINTERS - Intermec 4400					
TTR-FID064HM	64	2.52	457	1,499	6
TTR-FID091HM	91	3.58			6
TTR-FID106HM	106	4.17			1
PRINTERS - Intermec 8646/3400					
TTR-FID07601	76	2.99	153	502	6
TTR-FID08301	83	3.27			
PRINTERS - Sato 8400/8450/M8400RV, XL400/410, CL408/412/608/612					
TTR-FST053HM	53	2.99	410	1,345	6
TTR-FST076HM	76				
PRINTERS - Zebra - XI and Z					
TTR-FRD060H3	60	2.36	300	984	1
TTR-FRD060HM	60	2.36	450	1,476	1
TTR-FRD064H3	64	2.52	300	984	6
TTR-FRD064HM	64	2.52	450	1,476	6
TTR-FRD076HM	76	2.99	450	1,476	1
TTR-FRD080H3	80	3.15	300	984	6
TTR-FRD080HM	80	3.15	450	1,476	6

PRINTERS - Zebra - XI and Z					
Product Number	Width Millimeters	Width Inches	Length Meters	Length Feet	Box Qty.
TTR-FRD089HM	89	3.50	450	1,476	6
TTR-FRD095H3	95	3.74	300	984	6
TTR-FRD095HM	95	3.75	450	1,476	1
TTR-FRD102H3	102	4.02	300	984	1
TTR-FRD102HM	102	4.02	450	1,476	6
TTR-FRD110H3	110	4.33	300	984	1
TTR-FRD110HM	110	4.33	450	1,476	6
TTR-FRD114H3	114	4.49	300	984	6
PRINTERS - Zebra - Eltron TLP2844					
TTR-FED0844H	83	3.31	300	242	36

### Prime Mark Wax/Resin Ribbon A Solid Performer on Semi-Gloss and Gloss Stock

#### BENEFITS

- Moderate scratch and smudge resistance
- Withstands multiple scans and rough handling
- Good quality when printing complex formats
- Specially formulated backcoat protects printhead

PRINTERS - Datamax - I, M, W Class and, Prodigy-Max					
Product Number	Width Millimeters	Width Inches	Length Meters	Length Feet	Box Qty.
TTR-FGA06455	64	2.52	360	1,181	6
TTR-FGA08955	89	3.50			
TTR-FGA10255	102	4.02			
PRINTERS - Eltron HT 146					
TTR-FED110PT	110	4.33	256	840	6
PRINTERS - Eltron TLP 2242/2642/2742/3642					
TTR-FED11050	110	4.33	91	298	6
PRINTERS - Intermec 3400/3240/3440					
TTR-FID076PM	76	2.99	153	502	6
TTR-FID104PM	104	4.09			
PRINTERS - Sato 8400/8450/M8400RV, XL400/410, CL408/412/608/612					
TTR-FST07655	76	2.99	410	1,345	6
TTR-FST11055	110	4.33			
PRINTERS - Zebra - XI and Z					
TTR-FRD04050	40	1.57	450	1,476	6
TTR-FRD06050	60	2.36		1,476	6
TTR-FRD08350	83	3.27		1,476	6
TTR-FRD08955	89	3.50		984	6
TTR-FRD10250	102	4.02		1,476	6
TTR-FRD11050	110	4.33		1,476	1
TTR-FRD16550	165	6.50		1,476	6



### PM308 Wax/Resin Ribbon

Outstanding Versatility and Print Quality

#### BENEFITS

- Performs on a broad range of applications
- Prints on a wide range of substrates including coated papers and smooth synthetic films
- Excellent durability - stands up to rough handling, abrasion or moderate solvents
- Specially formulated backcoat protects printhead

PRINTERS - Datamax - I, M, W Class and, Prodigy-Max					
Product Number	Width Millimeters	Width Inches	Length Meters	Length Feet	Box Qty.
TTR-FGA10208	102	4.02	360	1,181	6
PRINTERS - Zebra - XI and Z					
TTR-FRD11038	110	4.33	450	1,476	6

### PM350A Wax/Resin Ribbon

A Solid TTR Performer

#### BENEFITS

- Outstanding print quality on a wide range of substrates
- Stands up to rough handling, abrasion or moderate solvents
- Excellent durability
- Backcoat protects printhead

PRINTERS - Datamax - I, M, W Class and, Prodigy-Max					
Product Number	Width Millimeters	Width Inches	Length Meters	Length Feet	Box Qty.
TTR-FGA11060	110	4.33	360	1,181	6
TTR-FGA11455	114	4.49	360	1,181	6



The printhead cleaner built in your ribbon.

#### Clean Start® makes cleaning effortless!

- A leading liner is built right into your thermal transfer ribbons
- Non-abrasive - safe to use with every ribbon you load
- Fast and easy to use
- Maintains excellent print quality
- Prolongs printhead life
- Minimizes costly downtime

### R2 Prime Wax/Resin Ribbon

Excellent Durability

#### BENEFITS

- Stands up to cleaners and mild chemicals
- Excellent scratch and smudge resistance
- Moderate level of steam resistance
- Well-suited for demanding labeling applications
- Backcoat protects printhead

PRINTERS - Datamax - I, M, W Class and, Prodigy-Max					
Product Number	Width Millimeters	Width Inches	Length Meters	Length Feet	Box Qty.
TTR-FGA053RP	53	2.09	360	1,181	6
TTR-FGA089RP	89	3.50	360	1,181	1
TTR-FGA102RP	102	4.02	360	1,181	6
PRINTERS - Intermec 3400/3240/3440					
TTR-FID104RP	104	4.09	153	502	6
PRINTERS - Intermec 8646/3400					
TTR-FID07602	76	2.99	153	502	1
TTR-FID08302	83	3.27	153	502	1
PRINTERS - Zebra - XI and Z					
TTR-FRD060RP	60	2.36	300	984	6
TTR-FRD102RP	102	4.02	300	984	6
TTR-FRD110R2	110	4.33	450	1,476	6

### SP330 Resin Ribbon

Super Premium Resin - The Ultimate in Durability

#### BENEFITS

- Maximum durability for harsh labeling applications
- Highest level of resistance to abrasion, heat, steam and various chemicals, ideal for laboratory or central service
- Prints exceptionally on high end synthetic labels
- Backcoat protects printhead

PRINTERS - Datamax - I, M, W Class and, Prodigy-Max					
Product Number	Width Millimeters	Width Inches	Length Meters	Length Feet	Box Qty.
TTR-FGA03830	38	1.50	360	1,181	12
TTR-FGA06430	64	2.52			6
TTR-FGA08930	89	3.50			6
TTR-FGA10230	102	4.02			6
TTR-FGA11030	110	4.33			6
PRINTERS - Eltron TLP 2242/2642/2742/3642					
TTR-FED06430	64	2.52	91	298	6
PRINTERS - Intermec 3400/3240/3440					
TTR-FID10430	104	4.09	153	502	6

Continued on next page...

# THERMAL TRANSFER RIBBONS

## THERMAL TRANSFER SOLUTIONS



### SP330 Resin Ribbon - *Continued*

PRINTERS - Intermec 4400					
Product Number	Width Millimeters	Width Inches	Length Meters	Length Feet	Box Qty.
TTR-FID10630	106	4.17	457	1,499	6
PRINTERS - Intermec 8646/3400					
TTR-FID07604	76	2.99	153	502	12
TTR-FID08304	83	3.27			6
PRINTERS - Sato 8400/8450/M8400RV, XL400/410, CL408/412/608/612					
TTR-FST11030	110	4.33	410	1,345	6
PRINTERS - Zebra - XI and Z					
TTR-FRD04030	40	1.57	300	984	12
TTR-FRD04033	40	1.57	450	1,476	6
TTR-FRD06030	60	2.36	300	984	6
TTR-FRD08030	80	3.15	300	984	6
TTR-FRD08333	83	3.27	450	1,476	6
TTR-FRD08930	89	3.50	300	984	6
TTR-FRD08933	89	3.50	450	1,476	6
TTR-FRD10230	102	4.02	300	984	6
TTR-FRD10233	102	4.02	450	1,476	1
TTR-FRD11030	110	4.33	300	984	6
TTR-FRD11033	110	4.33	450	1,476	6

## ISBT Blood Bank Ribbons

### BENEFITS

- Feel confident with quality ribbons precisely sized for on demand printing!
- Produce accurate bar codes and eye readable information

*For ISBT Label Solutions see page 104*

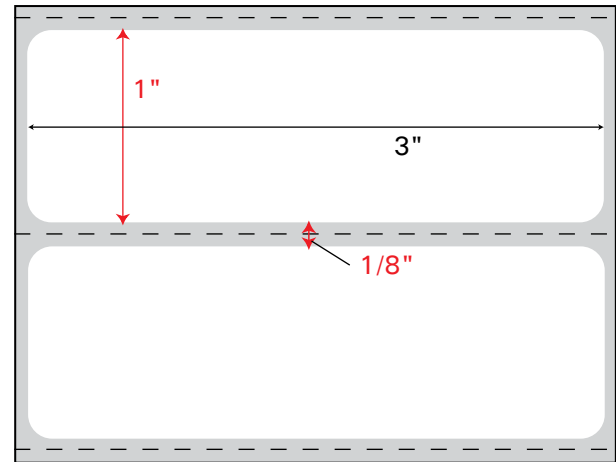
PRINTERS - Zebra Z4M					
Product Number	Width Millimeters	Width Inches	Length Meters	Length Feet	Box Qty.
TTR-FRD10275 (Wax)	102	4.02	450	1,476	6
TTR-FRD10238 (Wax/Resin)					
TTR-FRD10233 (Resin)					
PRINTERS - Sato BB-412e					
TTR-FST10275 (Wax)	102	4.02	450	1,345	6
TTR-FST10208 (Wax/Resin)				1,476	
TTR-FST10230 (Resin)				1,476	

### Calculating the Number of Ribbons Needed for a Label Order:

#### Formula:

Vertical Length of label + distance between labels (usually 1/8") x quantity of labels / 12" (to get feet) / by length of ribbon (in feet) = number of ribbons.

#### Example:



Calculate number of ribbons needed for 50,000 labels, 1" x 3" label with 1/8" between the labels. Ribbon size of 3-1/2" x 1,476'

### SAMPLE DATA

1"	Label Length	
+ .125"	Between Labels	
= 1.125"	TOTAL Length	
x 50,000	Number of Labels	
= 56,250"	TOTAL in Inches	
÷ 12	Divided by 12 to get feet	
= 4,688'	TOTAL in Feet	
÷ 1,476'	Divided by length of ribbon	
= 3.18 or 4	TOTAL # of Ribbons Needed (round up)	

### Thermal Transfer Ribbon Storage Conditions

For optimal print results, thermal transfer printing should occur in the temperature range of 41°F to 95°F at 45% to 85% relative humidity. Suggested storage conditions for up to one year duration are 23°F to 104°F at 20% to 85% relative humidity. Exposing thermal transfer ribbons to direct sunlight or moisture will cause damage to the ribbons.