

PDC Smart® Cards & Key Fobs

PDC Smart Cards and Key Fobs are the perfect complement to SmartBand® RFID wristband applications. Cards and Key Fobs can be issued to staff members for increased security or groups to support gift card and customer loyalty programs.



PRINCIPLE APPLICATIONS:



**Access Control
& Security**



**Season Passes &
Gym Memberships**



**Promotional,
Customer Loyalty
& VIP Programs**



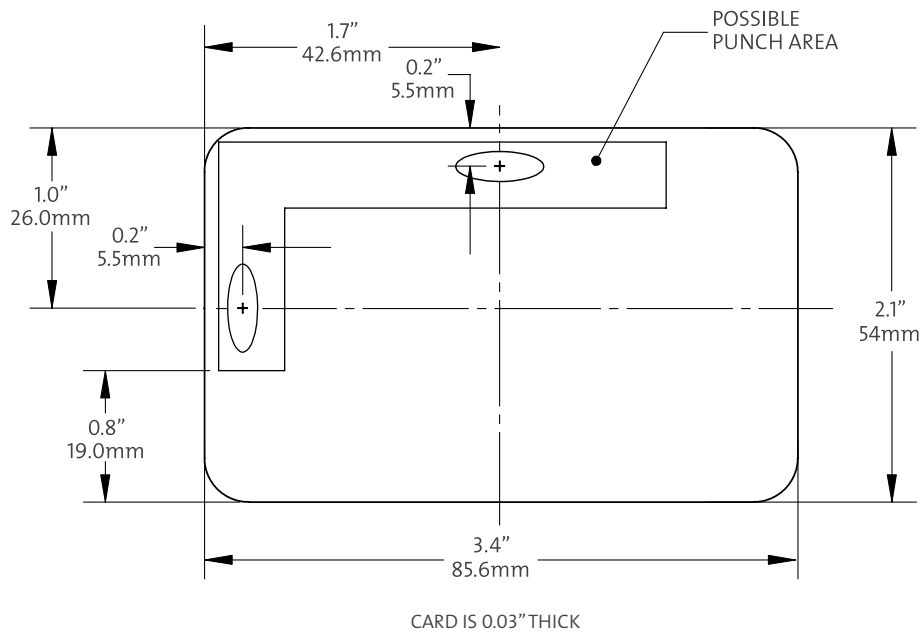
**Payment &
Ticketing Options
(such as mass transit)**



**Personal
Identification
Credential**

PDC Smart[®] Cards

- Cards are available with un-encoded magnetic stripe
- **Material:** PVC, White
- **Dimensions:** Per ISO/IEC 7810
Length: 3.4" (86.4mm)
Width: 2.1" (54.0mm)
Thickness: 0.03" (0.8mm)
Corner radius: 0.125" ± 0.012" (3.18mm ± 0.3mm)
- **Weight:** 5.8g ± 0.5g (per card)
- **Quantity:** 200/250 per box
- **Lead Time:** 3 weeks (from date of artwork approval and payment terms)
- **Custom Printing:** Full-color custom printing available for all cards (except UHF). Additional set-up charges apply. See artwork specifications on back.

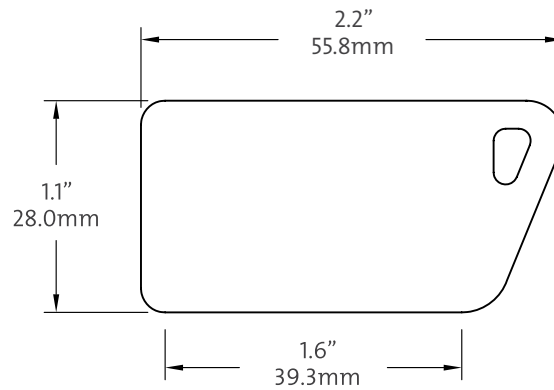


Part Number	High Frequency				UHF	Magnetic Stripe	Qty
	Tag-it HF-I	Mifare 1K	Mifare 4K	ICODE SLI	Higgs3		
C100-00-PDJ	X						250
C101-00-PDJ	X					HiCo	250
C103-00-PDJ	X					LoCo	250
C105-00-PDH*	X					LoCo	200
C106-00-PDH*	X					HiCo	200
C108-00-PDH		X					200
C109-00-PDH*		X				LoCo 350 Oe	200
C110-00-PDH*		X				HiCo 2750 Oe	200
C111-00-PDH			X				200
C112-00-PDH	X					HiCo 650 Oe	200
C113-00-PDH	X						200
C114-00-PDH					X		200
C115-00-PDJ				X			250

*Not suitable for slot punching.

PDC Smart® Key Fobs

- **Material:** PVC, White
- **Dimensions:**
 Length: 2.2" (55.8mm)
 Width: 1.1" (28.0mm)
 Thickness: 0.06" (1.6mm)
- **Quantity:** 250 per box
- **Lead Time:** 3 weeks (from date of artwork approval and payment terms)
- **Custom Printing:** Full-color custom printing available for all key fobs. Additional set-up charges apply. See artwork specifications on back.



FOB IS 0.06" THICK

Part Number	Tag-it HF-I	Mifare 1K	Mifare Ultralight	Qty
F101-11-PDJ	X			250
F105-11-PDJ		X		250
F106-11-PDJ			X	250



PDC Smart® Cards and Key Fobs are the perfect complement to SmartBand® RFID wristband applications.

Visit www.pdcorp.com/rfid for more information



Social Media Integration



Cashless Payments



Access Control & Security



Promotional, Customer Loyalty & VIP Programs



Keyless Entry



Keyless Lockers

Artwork Specifications:

SPOT COLOR SPECIFICATIONS:

- CLEAN, BLACK AND WHITE LINE ART is required.
- Tones and screens need to be converted to solids.
- Broken lines, weak lines, or smeared art cannot be imprinted.
- Outline all fonts in the artwork files.



No tones or screens (gray area).



No faxed art or art with broken or weak lines



Artwork must be clean, black & white line art.

FULL COLOR (CMYK, 4-COLOR) SPECIFICATIONS:

- EPS or AI files are preferred
- High resolution (300-600 dpi)
- Outline all fonts in the artwork file

Preferred File Formats			
Format	Extension	Description	Note
EPS	.eps	Illustrator encapsulated post script	Convert text to outlines
AI	.ai	Adobe Illustrator	Convert text to outlines
TIFF	.tif	Tagged image file format	300-600 dpi or higher
JPG	.jpg	Joint Photographic Experts Group	300-600 dpi or higher

Note:

If artwork is not supplied in the proper format and requires additional graphic design work, you may be billed for art charges.

NO LOGOS / ARTWORK FROM A WEBSITE

We cannot use logos/artwork that are copied from the web page as these images are low resolution and will produce a jagged, pixelated imprint with poor quality results.

E-MAIL YOUR ARTWORK

You may e-mail your artwork to artwork@pdc.com. Please include your company name, order number, contact name and phone number in your e-mail message.

UPLOAD YOUR ARTWORK ONLINE

To upload your artwork through our website, go to www.pdc.com/vip-artwork. Simply attach your artwork file.

ARTWORK ARCHIVES

We are happy to keep your wristband artwork on file for future re-orders. This will save you time and money. Please note, however, that if artwork is not used within a two year period, the archive artwork will be destroyed.

RFID Specifications:

	Texas Instruments Tag-it HF-I	Mifare 1K	Mifare 4K	NXP ICODE SLI	UHF
Operating Frequency	13.56 MHz	13.56 MHz	13.56 MHz	13.56 MHz	860-960 MHz
EEPROM Size	256 byte (2048 bit)	1024 byte (8192 bit)	4 byte	128 byte (1024 bit)	512 bits user memory
Memory Organization	64 blocks, 4 bytes per block	16 sectors, 4 blocks of 16 bytes	32 sectors, 4 blocks of 16 bytes	32 blocks, 4 bytes per block	64 bit TID, 96bit EPC, 512 User
Unique Serial Number (UID)	8 byte (64 bit)	4 byte	4 byte	8 byte (64 bit)	8 byte (64 bit)
RF Interface	ISO 15693-3	ISO 14443A	ISO 14443A	ISO 15693-3	ISO 18000-6C
Data Retention (years)	10	10	5	10	N/A
Write Endurance (cycles)	100,000	100,000	100,000	100,000	10,000
Read/Write Range	3.5" / 8.9 cm	1.5" / 3.8 cm	4" / 10 cm	2.4" / 6 cm	5" / 12.7 cm



United States & Canada

13880 Del Sur Street, San Fernando, CA 91340
866.403.6526 (toll free) | **818.897.1111** ext. 1320
rfidsolutions@pdc.com | pdc.com/rfid

PDC Europe

Rue de l'Industrie 17, 1400 Nivelles, Belgium
+32 67 89 56 56 (telephone) | **+32 67 21 77 70** (fax)
info@pdc-europe.com | pdc-europe.com